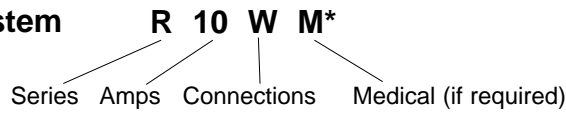


R-Series

General Performance, 2-stage, high attenuation

12704 W. Arden Place
Butler, WI 53007 USA
Phone: 262-790-0092
Fax: 262-790-0095
Website: www.emissioncontrol.com
E-mail: info@emissioncontrol.com

Part Number System

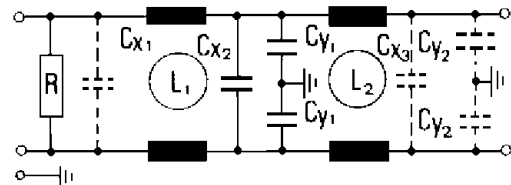


Agency Approvals:



| Part Number | Current Rating Amps | Schematic |
|-------------|---------------------|-----------|
|-------------|---------------------|-----------|

| | | |
|-------------|----|--|
| R10Q | 10 | LINE LOAD |
| R10W | 10 | |
| R10S | 10 | |



Electrical Specs

Rated Voltage: 250VAC 50/60 Hz.
Rated Current: @ 40° C
Hipot Rating:
Line to Ground: 1800 VAC, 2 sec.
Line to Line: 1700 VDC, 2 sec.
Climatic Category: HPF (25/085/21)
Maximum leakage current:
each line to ground
@ 250 VAC 50 Hz .23ma

Minimum insertion loss — dB (50 ohm circuit)

| Current Rating | Mode | Frequency - MHZ | | | | | | |
|----------------|--------------|-----------------|-----|----|----|----|----|----|
| | | .05 | .15 | .5 | 1 | 5 | 10 | 30 |
| 10 | Common | 12 | 13 | 46 | 56 | 65 | 65 | 63 |
| | Differential | 11 | 19 | 29 | 60 | 55 | 64 | 63 |

* Low leakage medical versions
Available to meet UL544

Mechanical Specs

Construction: Metal case and cover. Internal components and terminations sealed with self-extinguishing resin.

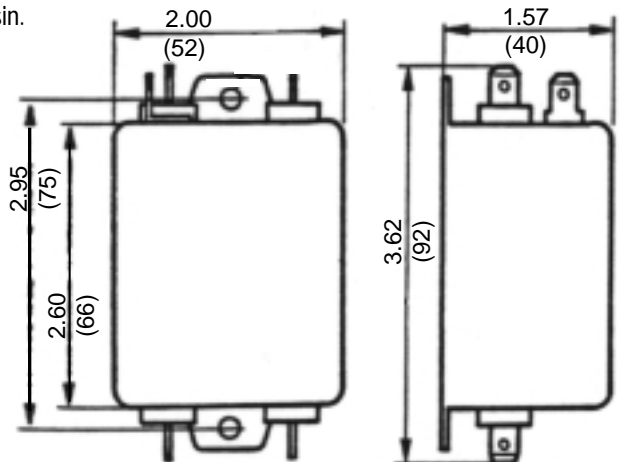
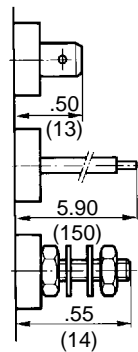
Connections:

Q = Quick-Connects
.25"(6.3)x.03"(0.8)

W = Wire Leads
AWG 14

S = Studs
M4

Dimensions: $\frac{\text{inches}}{\text{(mm)}}$



(2) Mounting Holes .20 DIA
(5.1)