

P-Series

High Performance, 2-stage, very high attenuation

12704 W. Arden Place
Butler, WI 53007 USA

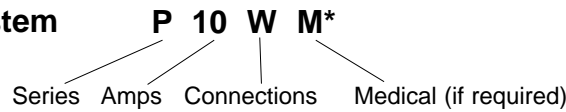
Phone: 262-790-0092

Fax: 262-790-0095

Website: www.emissioncontrol.com

E-mail: info@emissioncontrol.com

Part Number System



Agency Approvals:



Part Number	Current Rating Amps	Schematic
P10Q	8.5	
P10W	8.5	

Electrical Specs

Rated Voltage: 250VAC 50/60 Hz.
Rated Current: @ 40° C

Hipot Rating:
Line to Ground: 1800 VAC, 2 sec.
Line to Line: 1700 VDC, 2 sec.
Climatic Category: HPF (25/085/21)

Maximum leakage current:
each line to ground
@ 250 VAC 50 Hz .23ma

Minimum insertion loss — dB (50 ohm circuit)

Current Rating	Mode	Frequency - MHZ							
		.01	.05	.15	.5	1	5	10	30
10	Common	21	18	62	65	63	49	43	30
	Differential	4	14	29	54	61	63	60	38

* Low leakage medical versions
Available to meet UL544

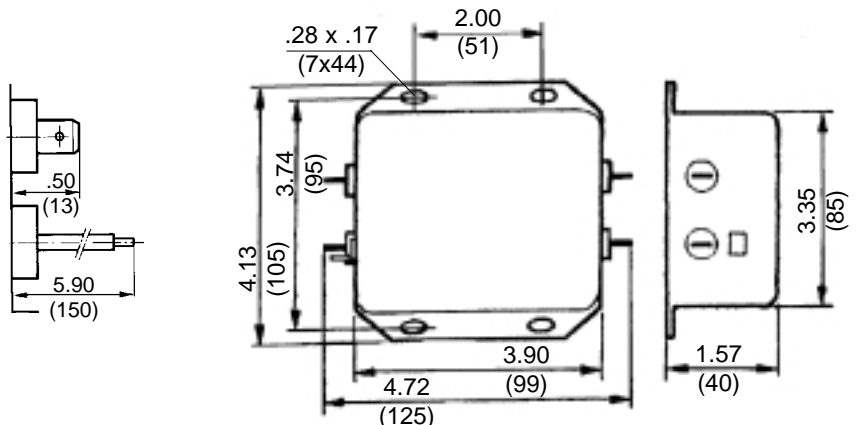
Mechanical Specs

Construction: Metal case and cover. Internal components and terminations sealed with self-extinguishing resin.

Connections:

Q = Quick-Connects
.25"(6.3)x.03"(0.8)

W= Wire Leads
AWG 14



Dimensions: inches
(mm)